

HMK 62SS

MINI BACKHOE LOADER



HIDROMEK®





HMK 62SS

The new member of backhoe loader family developed with over 42 year experience of Hidromek. The HMK 62SS is designed to exceed customer expectations; High Performance, Versatility, Operational Comfort and Safety.

Hidromek HMK 62SS provides customer with a mini but reliable and strong machine even in the toughest conditions and with long working hours.

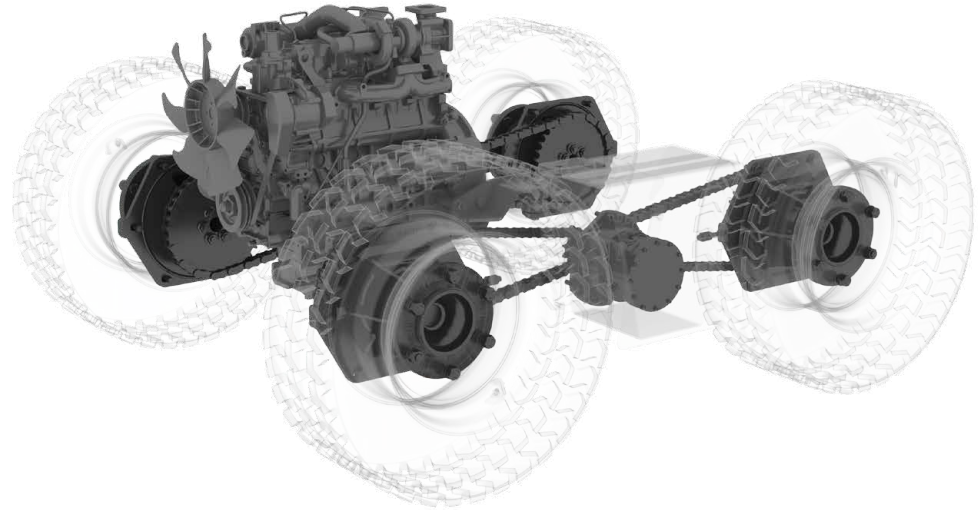
You can exceed all works that can be done by two diferent machines, a mini excavator and a mini loader, in a single machine. HMK 62SS offers you eligible investment costs and the possibility of spending less time for more work.

The compact size of the machine, ability to turn 360 degree on its own axis, Banana boom of backhoe, standard additional auxiliary hydraulic lines make HMK 62SS ideal for urban constructions and agricultural applications where the space is often limited.

POWERFUL ENGINE OUTSTANDING PERFORMANCE

Engine

The heart of the HMK 62SS power train is KUBOTA turbocharged diesel engine which is compatible with USA EPA Tier 4 and Stage V exhaust gas emission regulations. This extraordinary engine creates 65 HP power which is the best in its class. This power offers aggressive performance, fast cycle times and quick response which makes your life easier on working sites.



HIGH EFFICIENCY, SMART CHOICE.

Hydraulic System

Simple and reliable gear type hydraulic pump gives 61 lt per min hydraulic flow to the loader, backhoe and auxiliary hydraulic lines. High efficiency hydraulic oil cooler enables the HMK 62SS to work longer and harder in higher ambient temperatures.

Hydaux

Thanks to the HYDAUX System, so it is not necessary to hold a button to send hydraulic oil continuously for various optional attachments located on the front.

Powertrain

Variable displacement axial piston pumps are driven by the engine and provide hydraulic flow to the drive motors. The drive motors transfer mechanical power to the wheels by high strength chains for each machine side.

Breaker Line

Double sided auxiliary hydraulic line for the breaker is a standard equipment for HMK 62SS.

SPACIOUS AND COMFORTABLE

HMK **62**SS



CABIN INTERIOR

- Ergonomic operator seat
- Advanced heating and cooling system (A/C)
- LCD information display
- Monolithic rear window
- Opening side window
- Radio and MP3 player
- Ergonomic joystick controls
- Dome light
- Lighter
- Personal storage areas
- Floor mat
- Hand throttle



LOADER PERFORMANCE

One of the characteristics that makes HMK 62SS different is the superior performance of the front loader. Thanks to the bucket and arm breakout force of HMK 62SS, the machine drives the load without being stressed. Also, the unique banana boom geometry make it easy to work in places where the space is often limited.

With high manouverability and 4 wheel drive feature, HMK 62SS guarentees high performance in urban areas.

6-in-1 loading bucket with 0,35 m³ capacity provides advanced level of loading performance. Thanks to the special bucket geometry that is designed carefully, effective use of bucket capacity is obtained.

Machine direction is controlled by the joystick located on the left side of the operator seat. Joystick located on the righth side of the seat allows operator to execute loading works precisely.

As a standard equipment, quick coupler adaptors on the front boom shortens the attachment shifting time so that the machine can stay in work longer which raises the productivity.

Everything you expect from a mini loader and more...





BACKHOE PERFORMANCE

HMK 62SS excavation group designed to fit for all tough working conditions in urban areas. It provides precise digging opportunity where the space is limited.

Simple and reliable gear type hydraulic pump provides maximum breakout force even at low rpms and it has maximum 60 l/min oil flow.

When the operator turns the seat to the digging position, the joysticks located on the seat shifts to control the excavator group which enables the operator to keep his optimum ergonomic posture.

Optional breaker and telescopic arm can be controlled by a button on the joystick.

The rear window can be easily opened monolithically and provides an excellent visibility for the operator. Thanks to the additional button on the side console, the operator can move the machine forward and reverse while in excavation position which increases the productivity.

All these fine details have been thought for you to work more productive and comfortable in urban areas.





AIR NOZZLES

Air nozzles are installed in optimum areas in the cabin for the operator to work more comfortably.



RADIO / SOUND SYSTEM

The sound system with radio and mp3 player as a standard equipment, offers a pleasant environment to the operator.



PERSONAL STORAGE AREAS

Storage areas in different sizes and forms on the front and side panels on HMK 62SS, provide ideal storage and container areas.





MONOLITHIC REAR WINDSHIELD

The rear window easily opened monolithically, provides an excellent visibility and prevents possible accidents.



A/C SYSTEM

First time in its class, HMK 62SS offers standard air conditioning system in its cab. Thus, a comfortable working environment is provided for the operator.



INSTRUMENT PANEL

After careful analysis of the operators and on site applications, instrument panel is located in the optimum areas in the cab which increases the productivity of the operator.





SAFETY FIRST!

HMK 62SS is developed with our engineering experience of over 42 years, and multidirectional safety precautions are taken.

The operator cabin has FOPS (Falling Object Protective Structure) and ROPS (Roll Over Protective Structure) certificates.

Windows and the working lights, 2 in the front and 2 in the back, provide wide visibility angle for the operator, which enables him to see his surroundings as comfortably as possible while working.

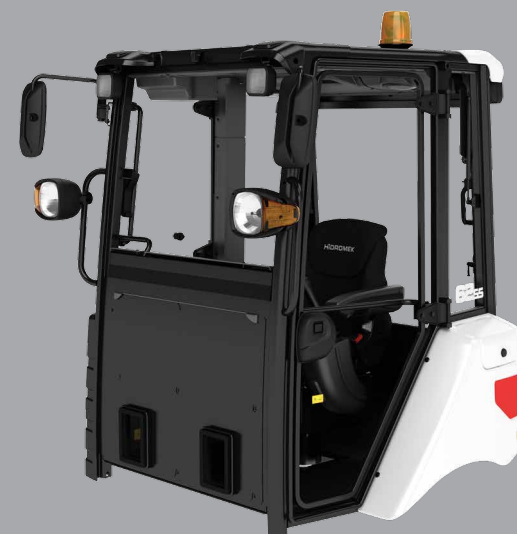
For follow-up data related to machine during operations, there is a coloured LCD information screen on the side console.

A safety seat belt helps the operator keep his position on sloppy lands or during sudden moves and prevents him from losing handling.

For maintenance and access to the engine, safety is provided with the boom lock integrated into the loader arm cylinder.

Standard beacon helps the machine to be recognized easily in urban applications.

Mechanical-driven excavator boom-lock offers safe drive by providing stabilization of rear boom while driving.



EASY MAINTENANCE AND SERVICE

Front hood and grill designed to be opened easily to minimize the time loss for maintenance and service offer multidirectional accessibility.

One of the most important characteristics of HMK 62SS is that hydraulic hoses are neatly designed and access to them is easy. This characteristic shortens the the time spent for service and increases the time for the machine at work.

The front grill can easily be opened with a key for an access to the accumulator and radiator group. This characteristic shortens the daily routine maintenance.

Hydraulic hose lines are protected from being damaged while at work.

Fuse panel is situated in such a way that the operator can easily reach it for maintenance and serviceability.

By easy maintenance and service, less operational costs and longer working times.



ATTACHMENTS

As standard equipment, 6 in 1 bucket is ideal for different operations such as digging, loading, grading, pushing and so on.

Standard auxiliary hydraulic lines for the front loader and the backhoe also let HMK 62SS to be used with various attachments which make it a multipurpose machine.

Quick coupler attachment on front loader group is also standard for HMK 62SS.





HIDROMEK

2255

ENGINE

| | |
|---|----------------------------|
| Brand, Model: | KUBOTA |
| Type: | V2403-CR-T-EW03 |
| Number of cylinders: | 4 in line |
| Diameter x Stroke: | 87 x 102,4 mm |
| Displacement: | 2.434 cc |
| Max. Power: | 65 HP (48,6 kW), @2700 rpm |
| Max. Torque: | 199 Nm @1600 rpm |
| <ul style="list-style-type: none"> Compatible with European EU Stage V and US EPA Tier 4 final emission regulations. | |

HYDRAULIC SYSTEM

| | |
|---|--|
| Main Pump | |
| Type: | Simple, reliable and high-performance open type hydraulic system with gear pump of tandem type |
| Flow: | 60 L/min @2700 rpm |
| Pressure: | 2250 Bar |
| <ul style="list-style-type: none"> Backhoe joysticks designed especially for operator not to be tired, requiring minimum power and installed ergonomically 10 micron oil filter Hyd. oil cooler ensuring problem free operation in hot climate | |

TRANSMISSION

- Variable displacement piston type hydraulic pump
- 4 wheel drive
- Max. 12 km/h travel speed
- Seat mounted joystick type control

LOADER PERFORMANCE

| | |
|---------------------------------|---------------------|
| 4 in 1 Bucket Capacity | 0,35 m ³ |
| Max. Bucket Breakout Force | 2883 kgf |
| Max. Arm Breakout Force | 2600 kgf |
| Lifting Capacity to Max. Height | 1370 kg |

BACKHOE PERFORMANCE

| | |
|---------------------------------|---------------------|
| Bucket Capacity | 0,06 m ³ |
| Max. Bucket Breakout Force | 1985 kgf |
| Max. Arm Breakout Force | 1500 kgf |
| Lifting Capacity to Max. Height | 332 kg |

TIRES

| | |
|--------------------|---------------------------|
| Front / Rear Tires | 10 x 16,5 (10 Ply rating) |
|--------------------|---------------------------|

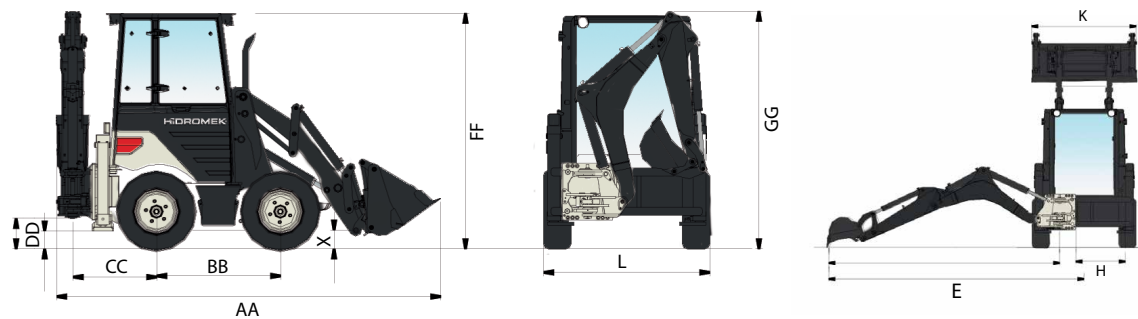
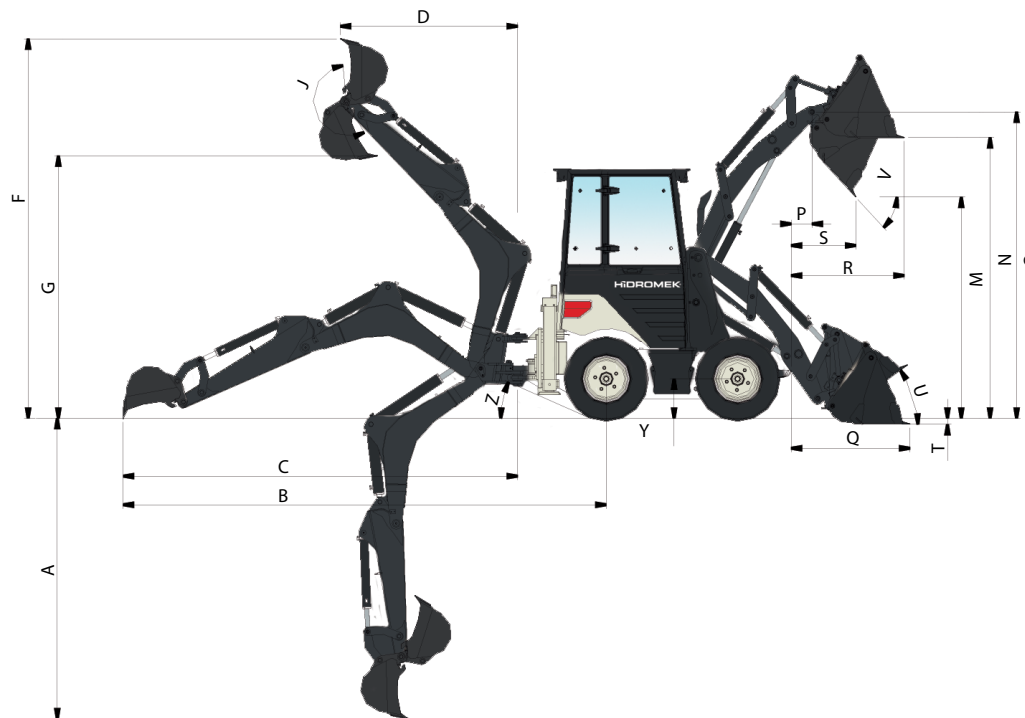
WEIGHT

| | |
|------------------------------------|---------|
| Standard Machine Operation Weight: | 3875 kg |
|------------------------------------|---------|

GENERAL CHARACTERISTICS

HMK
6255

| | Standard |
|---|----------|
| A -Maximum digging depth (mm) | 2751 |
| B -Ground level to rear wheel centre (mm) | 4419 |
| C -Ground level to slew centre (mm) | 3608 |
| D -Loading distance (mm) | 1620 |
| E -Distance to machine central line (mm) | 3986 |
| F -Operating height (mm) | 3472 |
| G -Max. loader height (mm) | 2400 |
| H -Total kingpost travel (mm) | 756 |
| J -Bucket rotation (°) | 204 |
| K -Shovel Width (mm) | 1630 |
| L -Rear frame width (mm) | 1610 |
| M -Dump height (mm) | 2022 |
| N -Load over height (mm) | 2567 |
| O -Pin height (mm) | 2800 |
| P -Front arm pin – bumper distance (mm) | 190 |
| Q -Grab lug – bumper distance (mm) | 1085 |
| R -Max. reach at full height (mm) | 1033 |
| S -Unloading distance (mm) | 591 |
| T -Digging depth (mm) | 55 |
| U -Roll back at ground (°) | 36 |
| V -Dump angle (°) | 47 |
| Y -Front wheel centre to the ground (mm) | 361 |
| Z -Departure angle (°) | 24 |
| W -Rear wheel centre to ground (mm) | 361 |
| X -Distance between pin centre and ground (mm) | 182 |
| AA -Total travel length (mm) | 3720 |
| BB -Axle centreline distance (mm) | 1214 |
| CC -Slew centre to rear axle centre distance (mm) | 803 |
| DD -Stabilizer feet clearance (mm) | 228 |
| EE -Kingpost clearance (mm) | 295 |
| FF -Cab roof height (mm) | 2275 |
| GG -Total travel clearance (mm) | 2298 |



WARNING: HÍDROMEK reserves the right to change the values given in this catalogue and designs indicated without prior notification.

NOT ONLY WITH OUR MACHINES BUT ALSO WITH THE SERVICES WE PROVIDE, WE ARE DIFFERENT!



Expert Service

Our personnel who are experts in their subjects provide the opportunity of the highest quality and the fastest service with their high-end equipment.



Global Service Network

Hidromek that has global service network offers sale and service even in the various points of the world with hundreds of sale and service points abroad.



High Customer Satisfaction

A customer-oriented approach is adopted in all our operations in order to satisfy our customers at the highest level, add value to their works and gain the loyalty of them.



- HÍDROMEK Production Facilities
- HÍDROMEK Overseas Dealers
- ▼ HÍDROMEK Overseas Sales and Aftersales Services Points
- Countries HÍDROMEK Machines Running

HIDROMEK®

HIDROMEK HEAD OFFICE

Address : Ahi Evran OSB Mahallesi Osmanlı Caddesi No:1
06935, Sincan - Ankara / TURKEY
Phone : +90 312 267 12 60 • **Fax:** +90 312 267 12 39
E-mail : ihracat@hidromek.com.tr

HIDROMEK RUS

Address : 72, Zhivopisnaya str., Building A, village
Oktyabrskiy, Krasnodar, 350032, RUSSIA
Phone : +7 861 290 3007
E-mail : info@hidromek.ru

HIDROMEK HCE

Hidromek Construction Equipment Ltd.
Address : No: 700/669 Moo 1, T. Phanthong
A. Phanthong, Chonburi 20160, THAILAND
Phone : +66 38 447 349 • **Fax:** +66 38 447 355

HIDROMEK WEST

Address : C/De La Maquina 14, Poligono Industrial El Regás,
08850 - Gavà BARCELONA/ SPAIN
Phone : +34 93 638 84 65 • **Fax :** +34 93 638 07 14
E-mail : info@hidromek.es

HIDROMEK JAPAN

Address : 5-10, Hashimoto 6-chome, Midori-Ku,
Sagamihara, Kanagawa, 252-0143 JAPAN
Phone : +81 42 703 0261 • **Fax:** +81 42 703 0262

www.hidromek.com

Your Local Distributor:

WARNING

HIDROMEK has the right to modify the specifications and design of the model indicated on this brochure without prior notice.